

LT-GDM-02-F

Ground-Detecting Module

Product Specifications

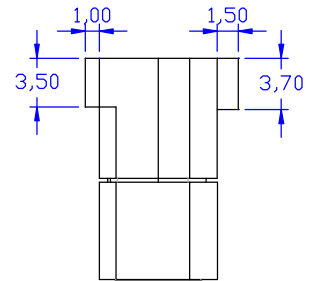
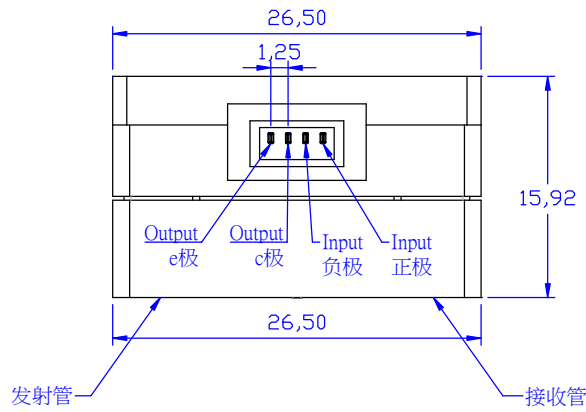
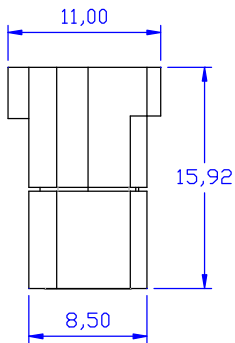
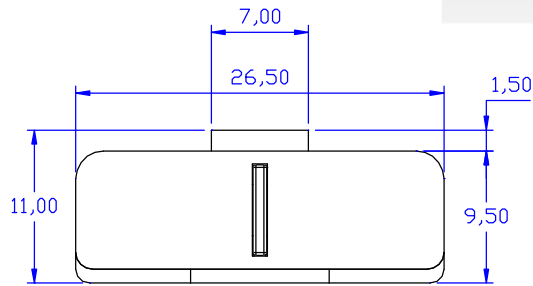
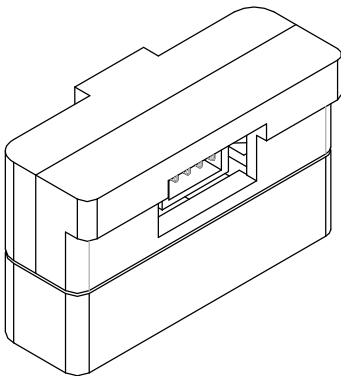
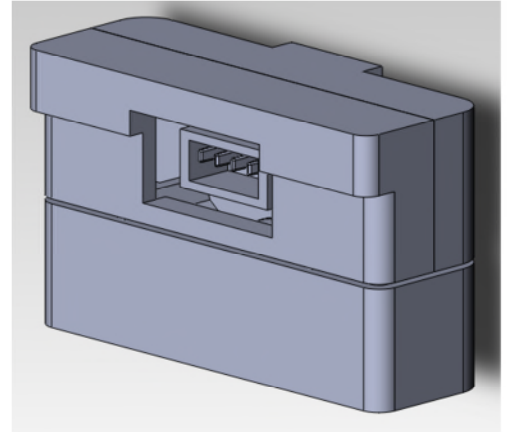
SPEC. NO. : SZ22082301
DATE : 2022/08/23
REV. : A/0

Approved By:

Checked By:

Prepared By:

Dimensions of Module



Notes:

1. All dimensions are in millimeters.
2. Tolerance is $\pm 0.50\text{mm}$ unless otherwise noted.
3. Specifications are subject to change without notice.

Features

- ◆ Pb free product—RoHS compliant
- ◆ Fast response time
- ◆ High sensitivity
- ◆ Invisible wavelength $\lambda_p=940\text{nm}$
- ◆ Integration structure

Typical Applications

- ◆ Intelligent Sweeping Robot

Absolute Maximum Ratings at Ta=25°C

Parameter		Symbol	Ratings	Unit
Input	Power Dissipation	Pd	170	mW
	Reverse Voltage	V _R	5	V
	Forward Current	I _F	100	mA
	Peak Forward Current ^{*1}	I _{FP}	250	mA
Output	Collector Power Dissipation	Pc	75	mW
	Collector Current	I _C	20	mA
	Collector-Emitter Voltage	V _{CEO}	30	V
	Emitter-Collector Voltage	V _{ECO}	5	V
Electrostatic Discharge (HBM)		ESD	4000	V
Operating Temperature Range		T _{opr}	-25°C to + 65°C	°C
Storage Temperature Range		T _{stg}	-40°C to + 85°C	°C

Note: 1. Pulse width $\leq 0.1\text{msec}$, duty cycle $\leq 1/2$;

Electrical Optical Characteristics at Ta=25°C

Input						
Parameter	Symbol	Min.	Typ.	Max.	Unit	Test Condition
Peak Wavelength	λ_p	---	940	---	nm	$I_F=50mA$
Forward Voltage	V_F	---	1.35	1.60	V	$I_F=50mA$
Reverse Current	I_R	---	---	10	μA	$V_R=5V$

Output						
Parameter	Symbol	Min.	Typ.	Max.	Unit	Test Condition
Collector-Emitter Breakdown Voltage	BV_{CEO}	30	---	---	V	$I_C=0.1mA$ $E_e=0mW/cm^2$
Emitter-Collector Breakdown Voltage	BV_{ECO}	5	---	---	V	$I_E=0.1mA$ $E_e=0mW/cm^2$
Collector-Emitter Saturation Voltage	$V_{CE(SAT)}$	---	---	0.4	V	$I_C=2mA$ $E_e=1.0mW/cm^2$
Rise Time	T_r	---	15	---	μs	$V_{CC}=5V$ $R_L=1K\Omega$ $I_C=1mA$
Fall Time	T_f	---	15	---	μs	
Collector Dark Current	I_{CEO}	---	---	100	nA	$V_{CE}=10V$ $E_e=0mW/cm^2$
On State Collector Current	$I_{C(ON)}$	1.0	5.0	---	mA	$V_{CE}=5V$ $I_F=20mA$